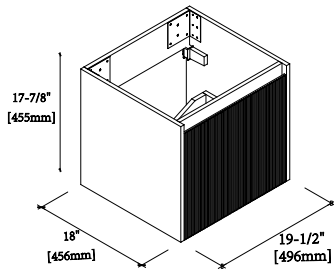


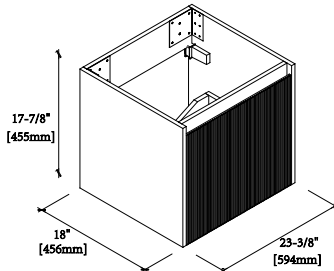


BLOSSOM[®]

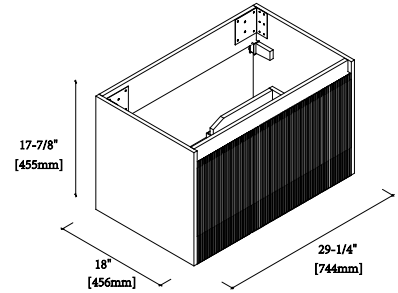
luxury made simple



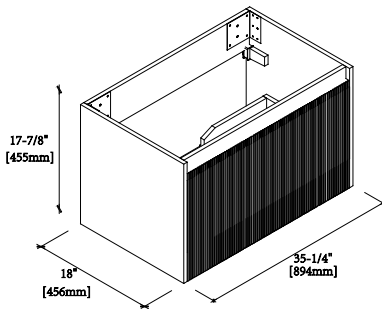
V8028 20 01



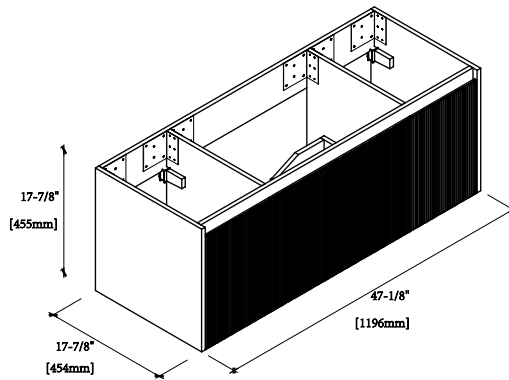
V8028 24 01



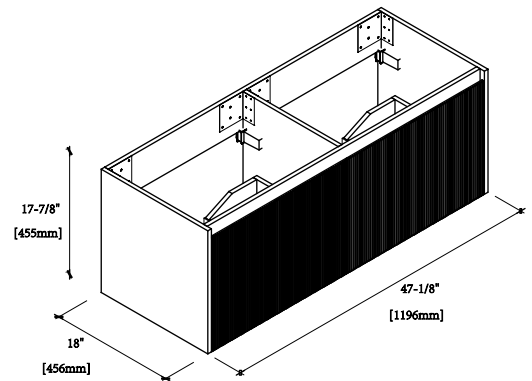
V8028 30 01



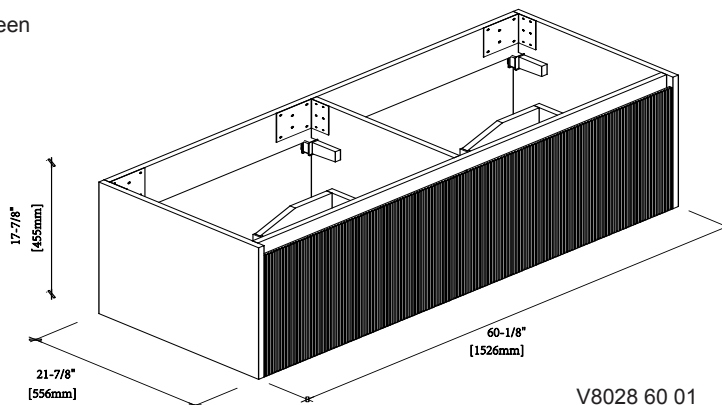
V8028 36 01
Matte White
15 Light Grey
26 Night Blue
27 Aventurine Green



V8028 48 01S



V8028 48 01D



V8028 60 01

[POSITANO] Series Vanities Specification & Installation Guide

Features

- Furniture grade water resistance plywood, protected with several Coats of polyurethane.
- Drawers front with fluted design.
- 45 degree integrated door pull with UNIHOPPER full extension soft-close hardware.

Package Dimension

20"	21-1/4" X 19-5/8" X 19-5/8"
24"	25-1/4" X 19-5/8" X 19-5/8"
30"	31-1/2" X 19-5/8" X 19-5/8"
36"	37" X 19-5/8" X 19-5/8"
48"	48-7/8" X 19-5/8" X 19-5/8"
60"	62-1/4" X 24" X 19-5/8"

Colors / Finishes

Matte White - 01
 Light Grey - 15
 Night Blue - 26
 Aventurine Green - 27

Gross Weight

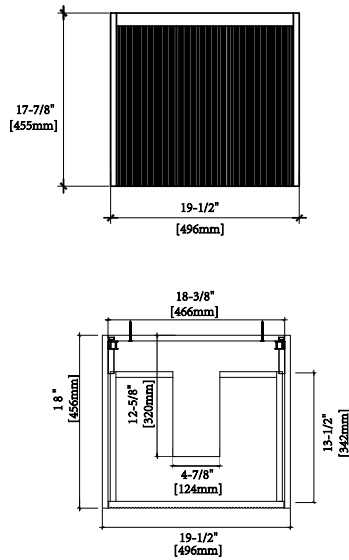
20"	35.94LBS	24"	39.02LBS
30"	43.87LBS	36"	49.16LBS
48"S	83.78LBS	48"D	67.68LBS
60"	86.6LBS		

Sink Top Options

Vanities		Ceramic basin	Artificial stone basin
20"	V8028 20	C04 2018	A10 2018 25
24"	V8028 24	C04 2418	A10 2418 25
30"	V8028 30	C04 3018	A10 3018 25
36"	V8028 36	C04 3618	A10 3618 25
48"	V8028 48 Single	C04 4818S	A10 481825S
48"	V8028 48 Double	C04 4818D	A10 481825D
60"	V8028 60	C04 6018	A10 6022 25

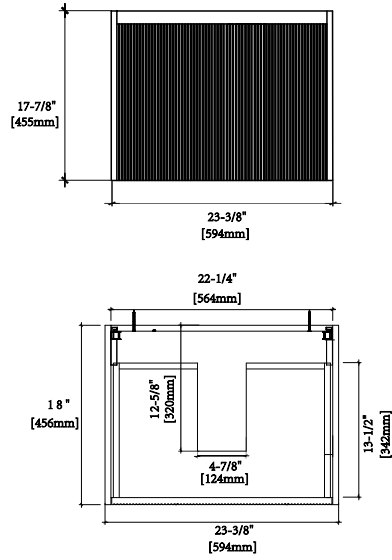
20"

19-1/2" X 18" X 17-7/8"



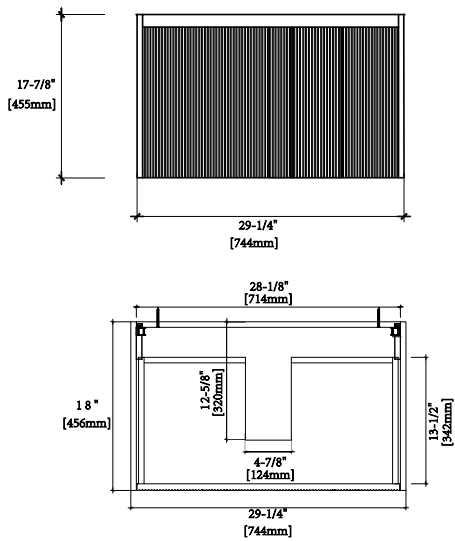
24"

23-3/8" X 18" X 17-7/8"



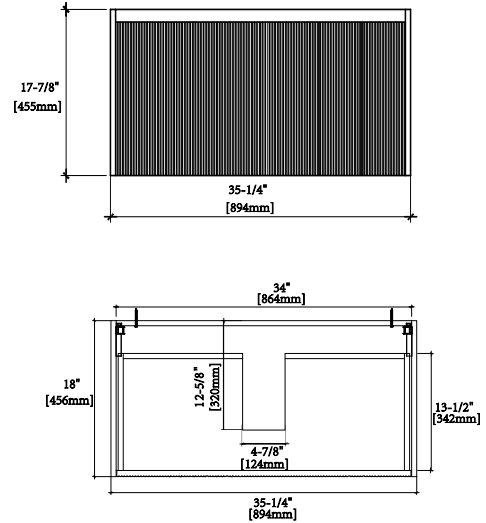
30"

29-1/4" X 18" X 17-7/8"

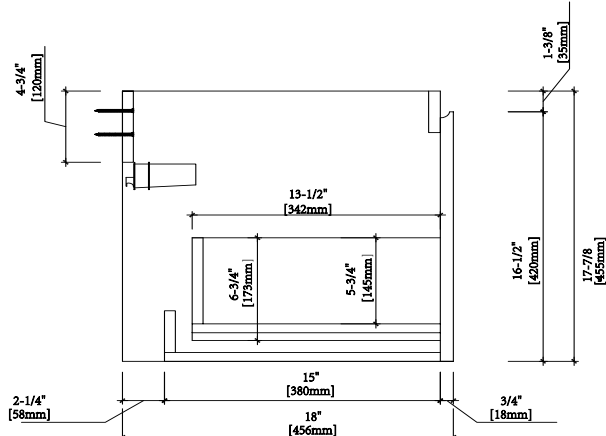


36"

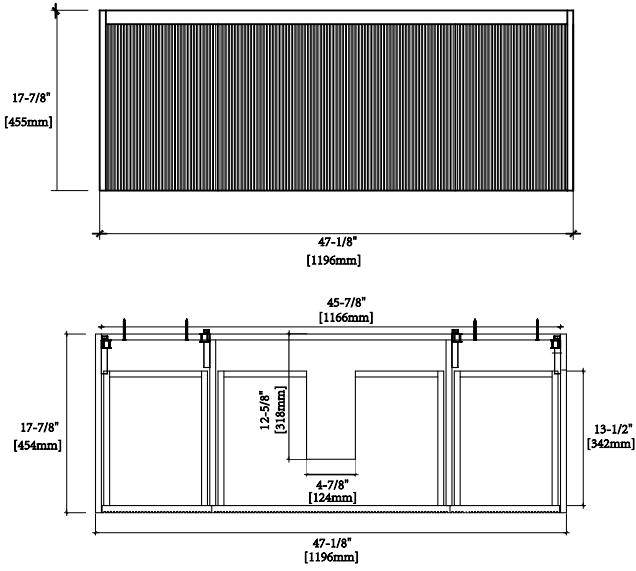
35-1/4" X 18" X 17-7/8"



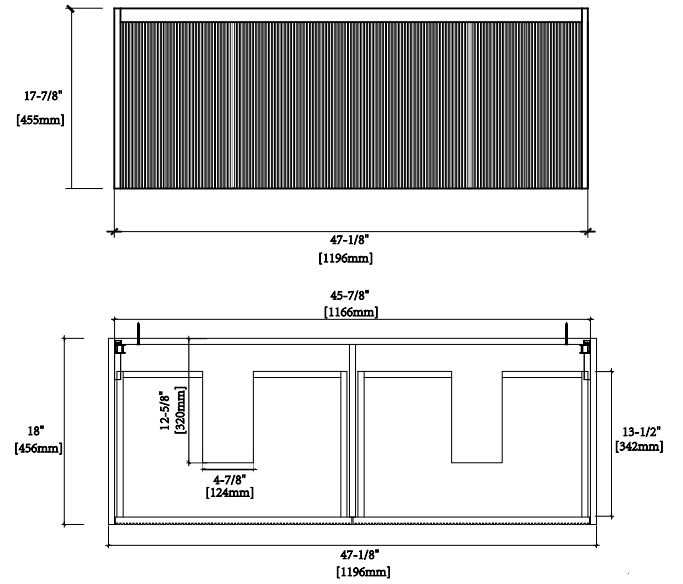
Side View



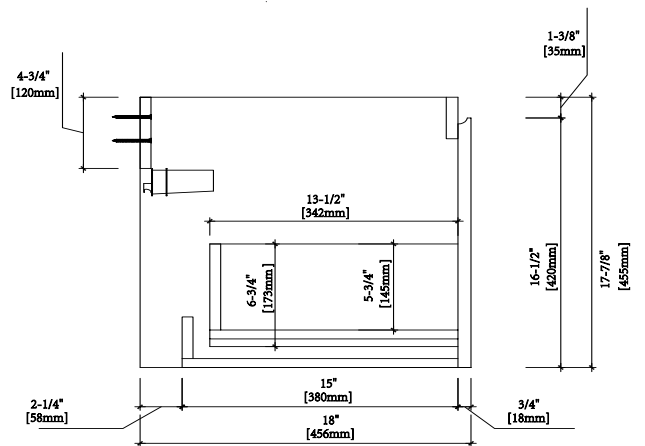
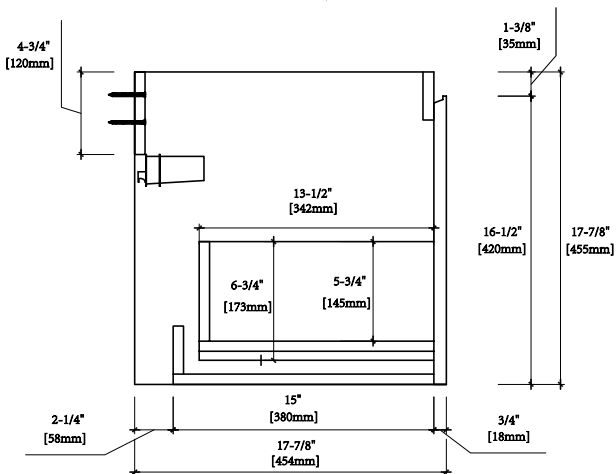
48" 47-1/8" X 17-7/8" X 17-7/8"



48" 47-1/8" X 18" X 17-7/8"

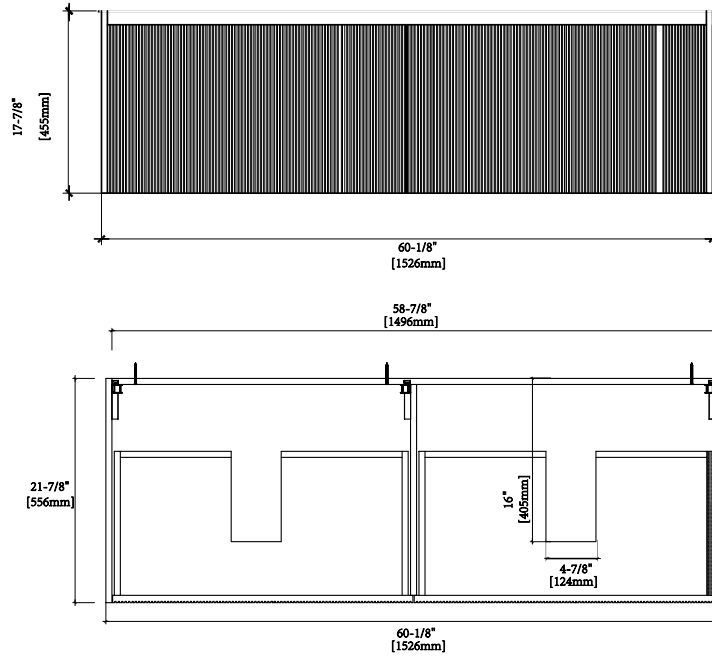


Side View

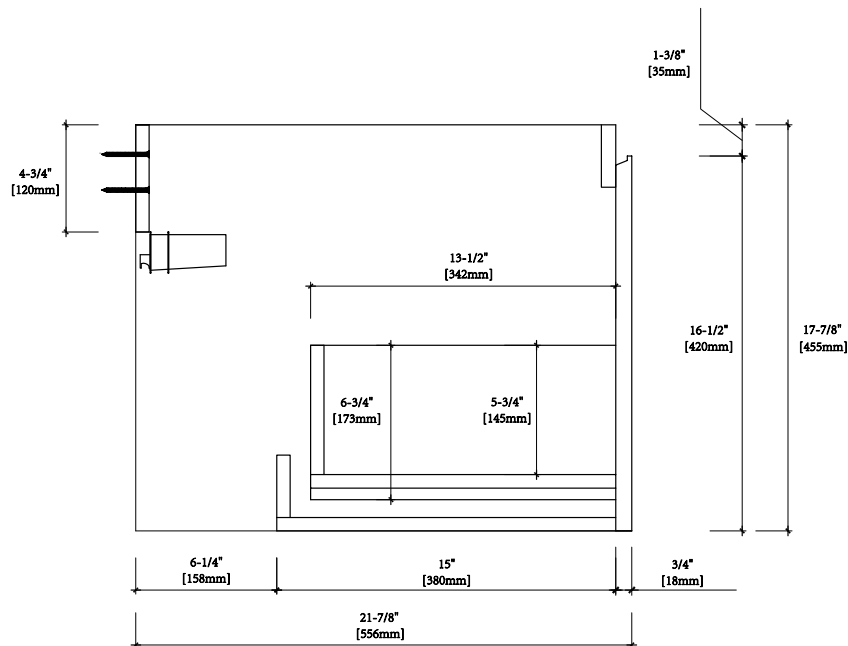



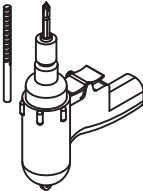

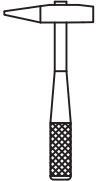

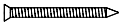

60"

60-1/8" X 21-7/8" X 17-7/8"



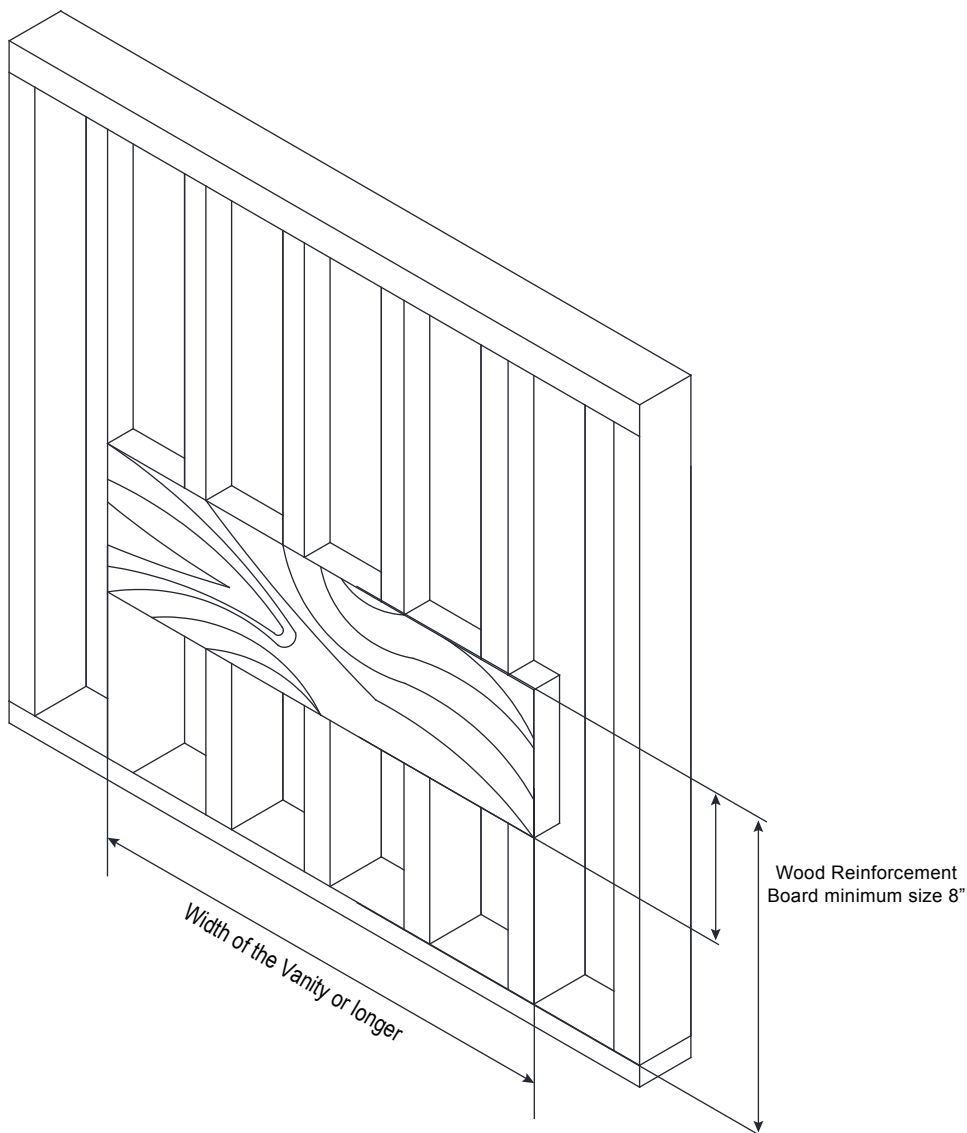
Side View



Hardware				Tools (not includes)		
No.		Draw	Qty			
A	Anchors		6 pcs	  		
B	Lag Bolt (5CM)		6 pcs			
C	Lag Bolt (8CM)		5 pcs			
D	Leveling Bracket		2pcs			

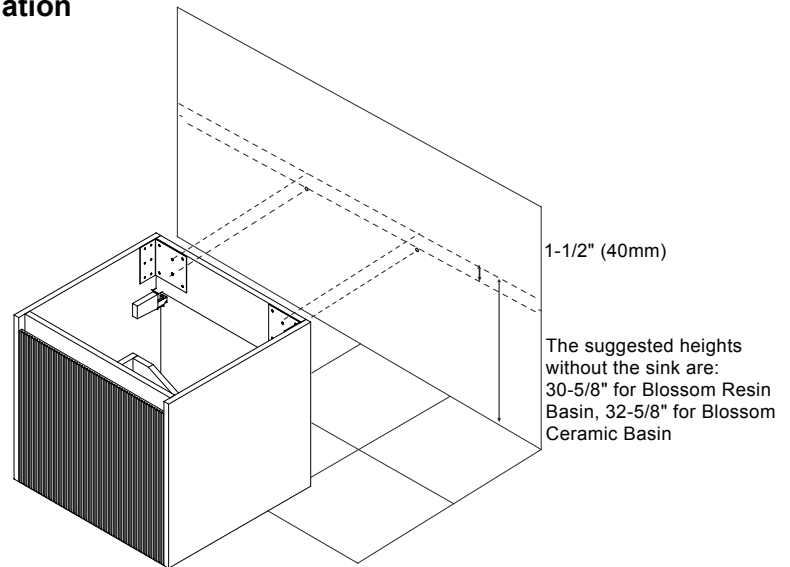
Wall Preparation

The suggested heights without the sink are 30-5/8" for Blossom Resin Basin, or 32-5/8" for Blossom Ceramic Basin. Depending on the sinks selected, the total height will vary from 33-1/2" (850mm) to 35-1/4" (895mm). If an alternate height desired, adjust the rough-in and backing material heights using the dimensions provided.



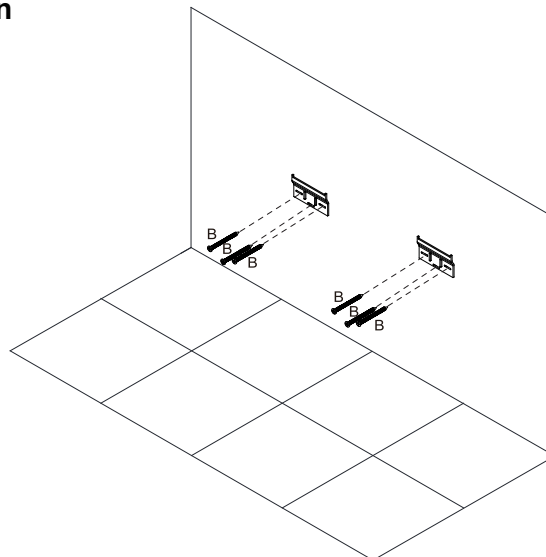
STEP 1. Cabinet positioning and installation

- The suggestion height of vanity installation is 30-5/8" (780mm) for Resin Basin or 32-5/8" (830mm) for Ceramic Basin - not including the basin.
- The height of Leveling Bracket Installation is 26" (660mm) for Resin Basin or 28-1/8" (715mm) for Ceramic Basin.



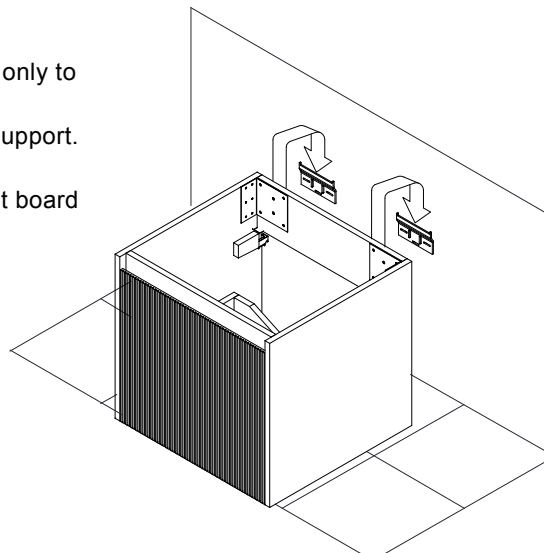
STEP 2. Leveling bracket installation

- Install leveling bracket after determining the height of vanity.



STEP 3. Hang the cabinet on the leveling bracket and adjust it horizontally

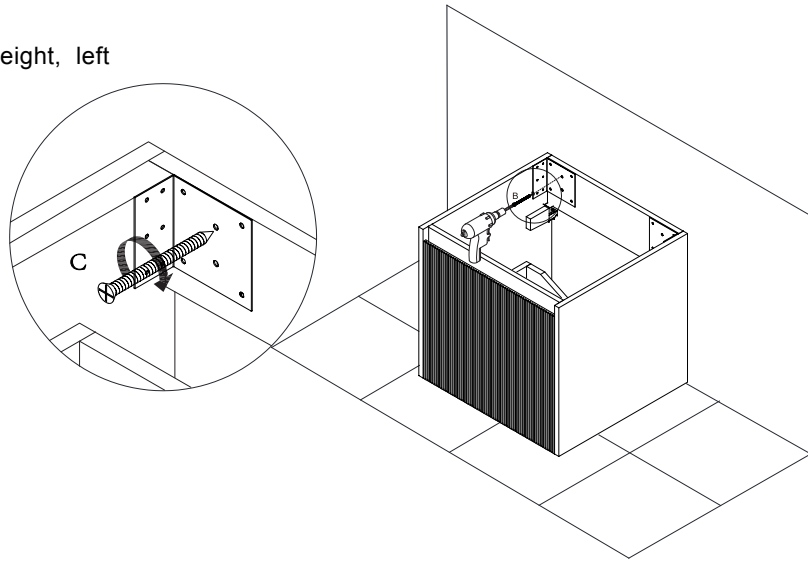
Place vanity on leveling bracket, Leveling brackets are only to level the vanity. They are not designed for permanent support. Vanity needs to be secured into the wood reinforcement board through the corner metal L - bracket.



STEP 4.

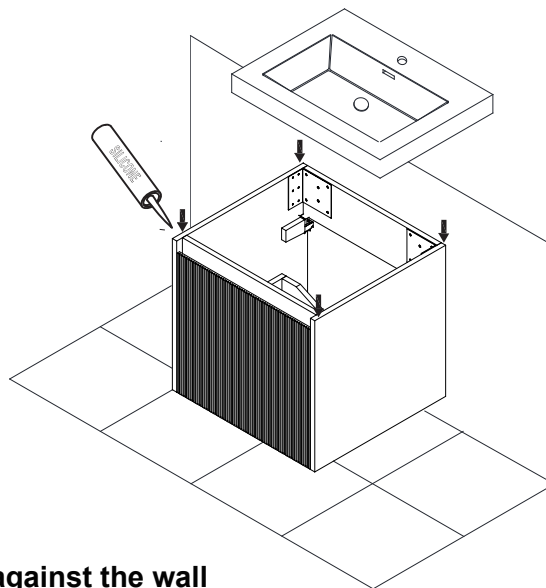
Fixed Cabinet

Install Lag Bolt after determined the height, left
& right position then fix the Vanity.



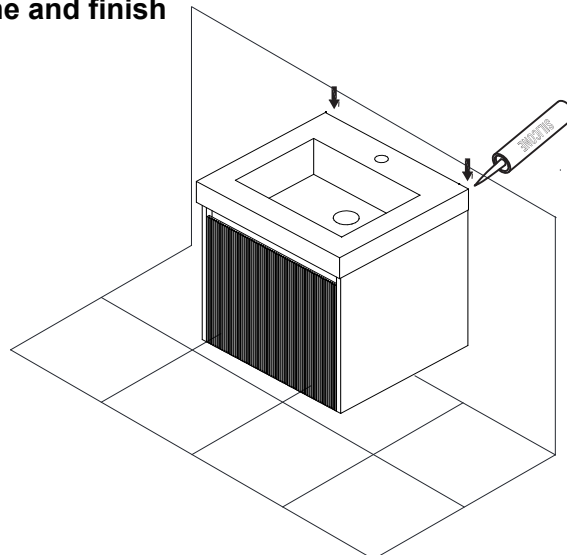
STEP 5.

Install sink top with Silicone



STEP 6.

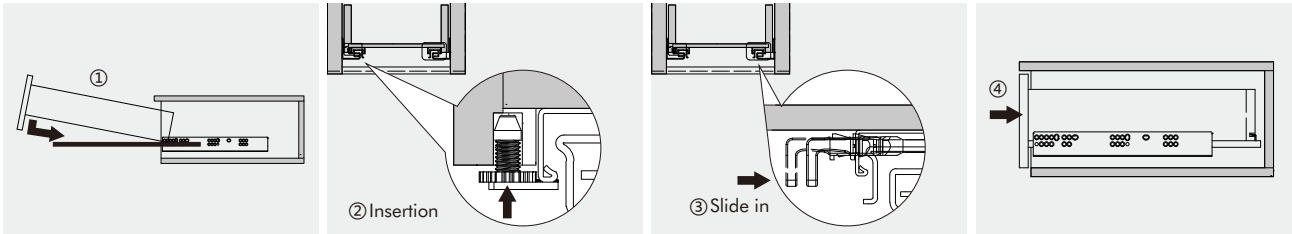
Fill the side against the wall with Silicone and finish



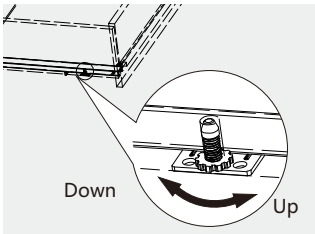
Unihopper DRAWER/HINGE ADJUSTMENT AND REMOVAL

Unihopper general drawer/hinge adjustment and removal

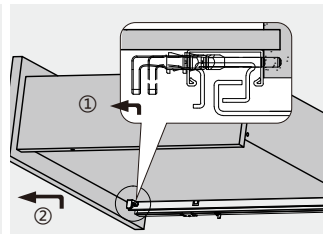
Installation



Adjustment

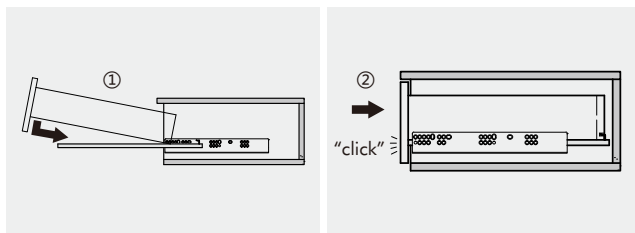


Removal

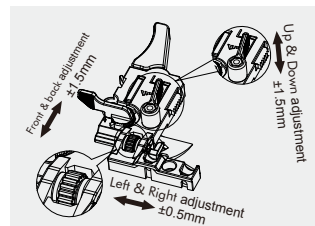


Unihopper Quick Assembly Drawer Slide

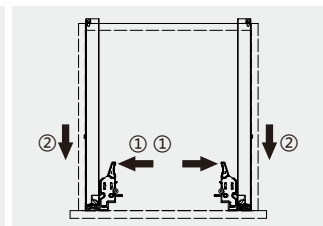
Installation



Adjustment

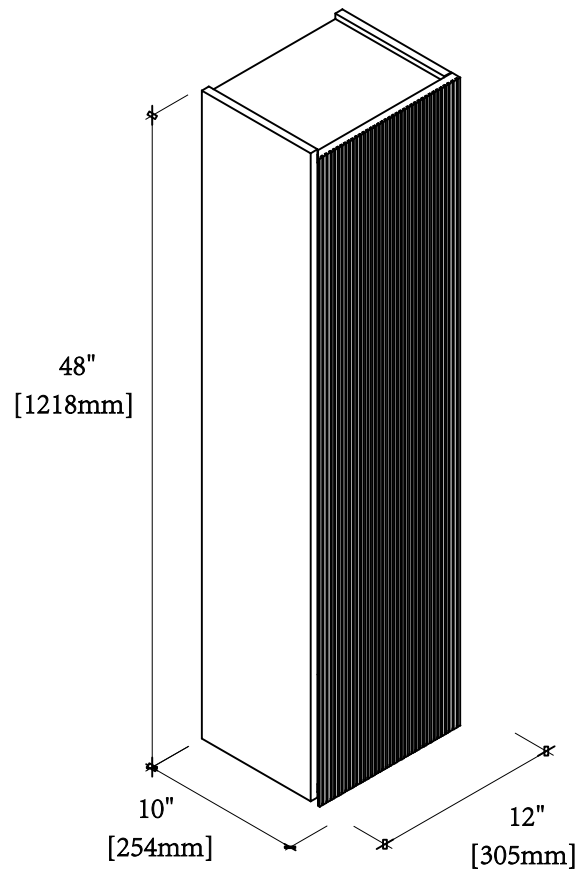


Removal





BLOSSOM[®]
luxury made simple



S8028 12 01/15/26/27

[POSITANO]
Series Vanities
Specification & Installation Guide

Features

- Furniture grade water proof plywood, protected with several Coats of polyurethane.
- Drawers front with vertical lines.
- 45 degree handle with Unihopper hinge.
- 1 pc wood shelf and 2 pcs removeable glass shelves
- shelves
- Side cabinet could be reversible installed

Package Dimension

12" 14-1/8" X 11-4/5" X 50"

Colors / Finishes

Matte White - 01

Light Grey - 15

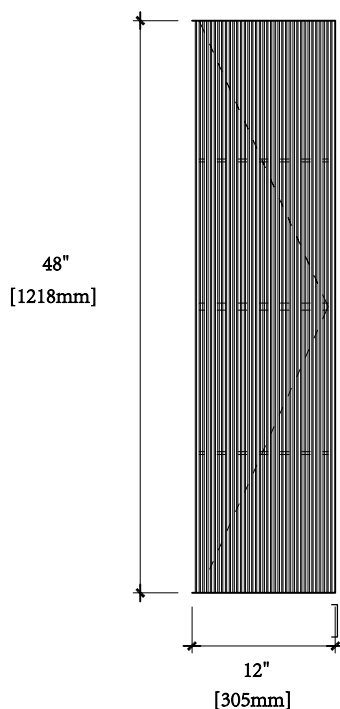
Night Blue - 26

Aventurine Green - 27

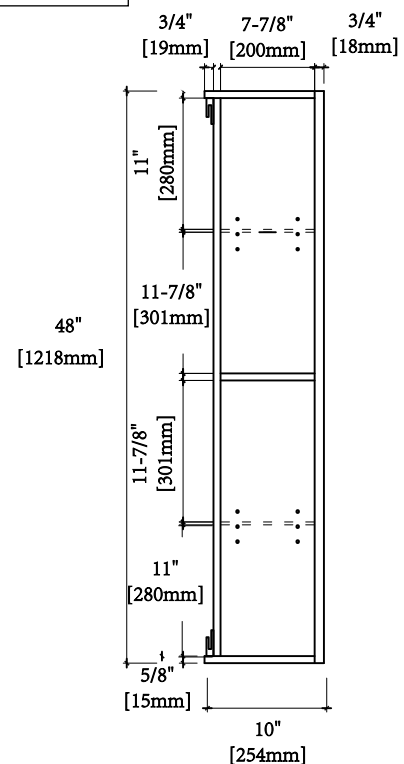
Gross Weight


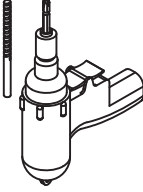
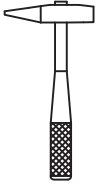

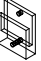
12" 45.64LBS

48" 47" X 18" X 17-2/3"



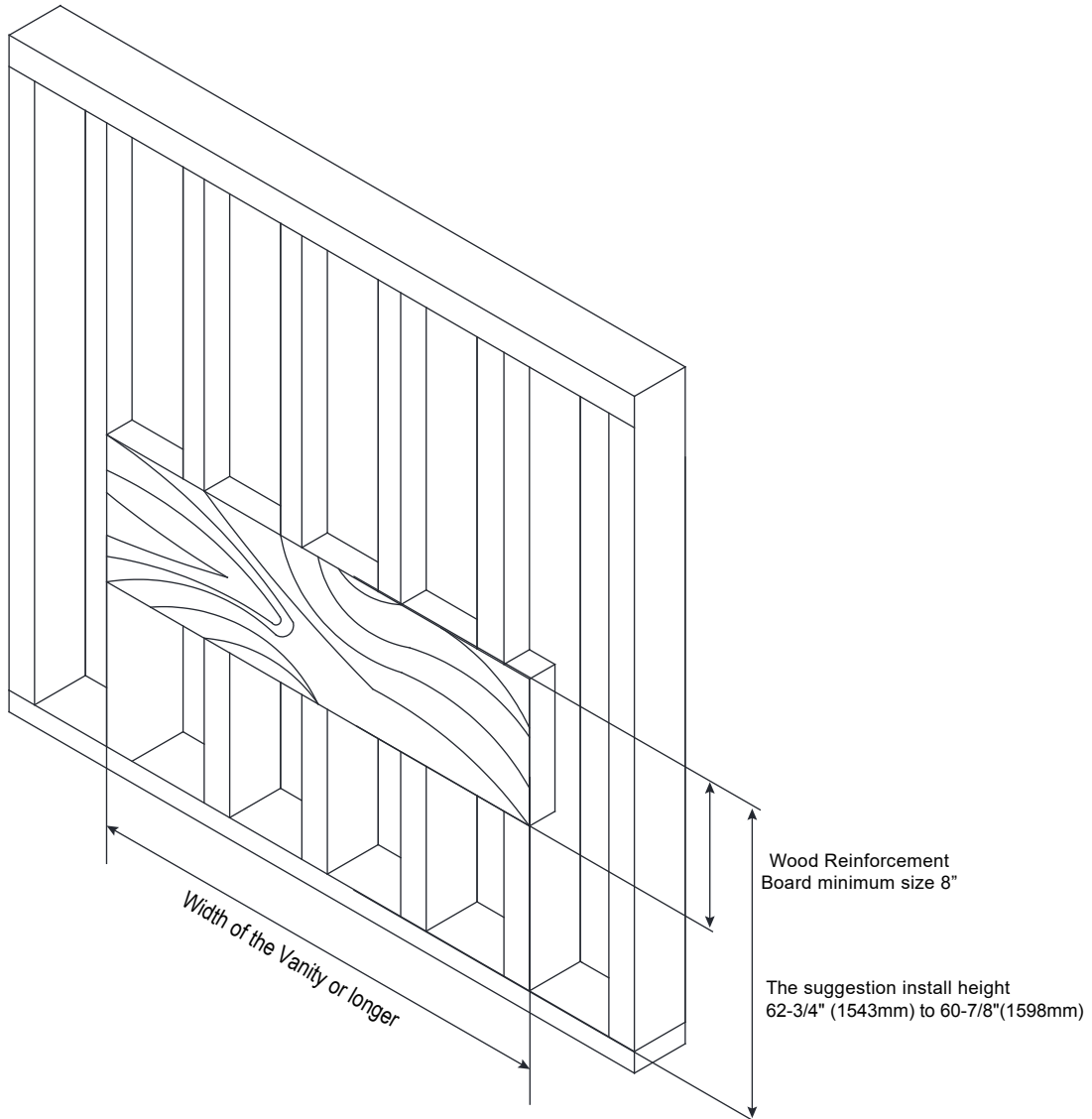
Side View



Hardware				Tools (not includes)	
No.		Draw	Qty		
A	Anchors		6 pcs		
B	Lag Bolt (5CM)		6 pcs		
C	Leveling Bracket		2 pcs		

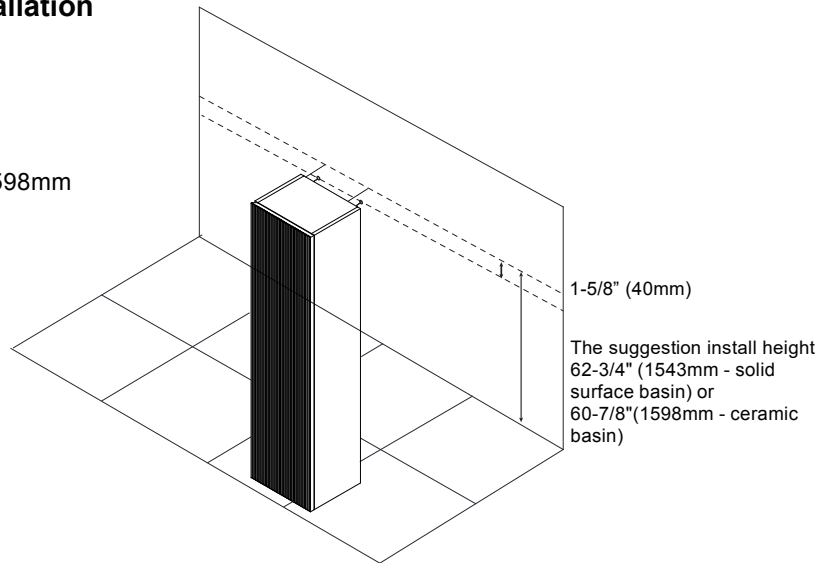
Wall Preparation

The typical dimensions shown will result in side cabinet height of 62-3/4" (1543mm - solid surface basin) or 60-7/8"(1598mm - ceramic basin). Depending on the sinks selected, the total height will vary from 62-3/4" (1543mm) to 60-7/8"(1598mm). If an alternate height is desired, adjust the rough-in and backing material heights using the dimensions provided.



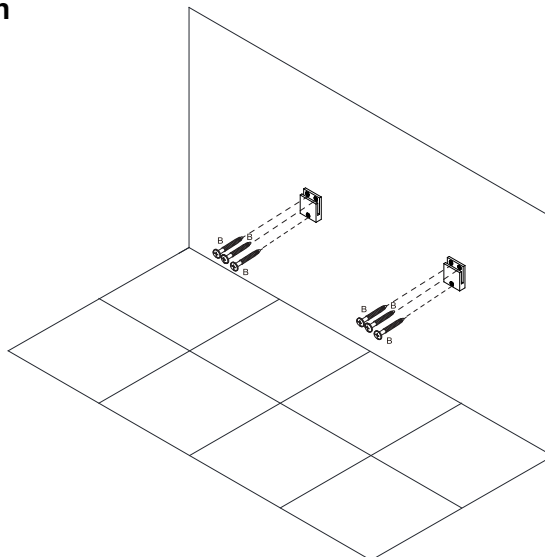
STEP 1. Cabinet positioning and installation

- The suggestion height of vanity installation is 62-3/4" (1543mm - solid surface basin) or 60-7/8"(1598mm - ceramic basin).
- The height of Leveling Bracket Installation is 59-3/8" (1508mm - solid surface basin) or 61-1/2"(1563mm - ceramic basin) .



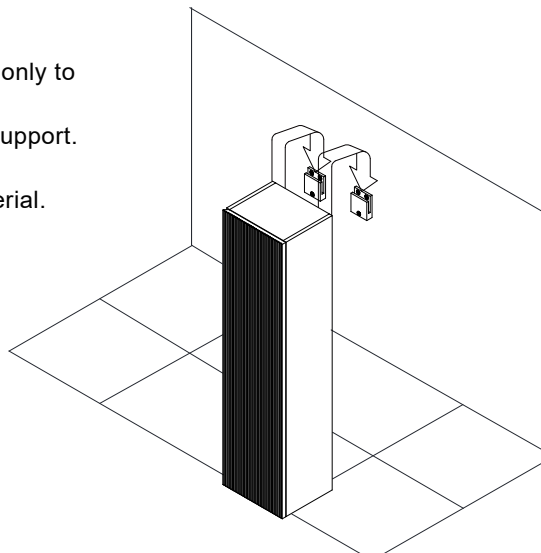
STEP 2. Leveling bracket installation

- Install leveling bracket after determining the height of vanity.



STEP 3. Hang the cabinet on the leveling bracket and adjust it horizontally

Place vanity on leveling bracket, Leveling brackets are only to level the vanity. They are not designed for permanent support. Vanity needs to be secured into the wood backing material.





Blossom Kitchen & Bath Supply Corporation
(718)-366-0088 | sales@BlossomUS.com | www.BlossomUS.com

For clarification, please contact us at (718)-366-0088 or sales@BlossomUS.com
All dimensions are approximate and subject to standard tolerance. Specifications subject to change without prior notice.